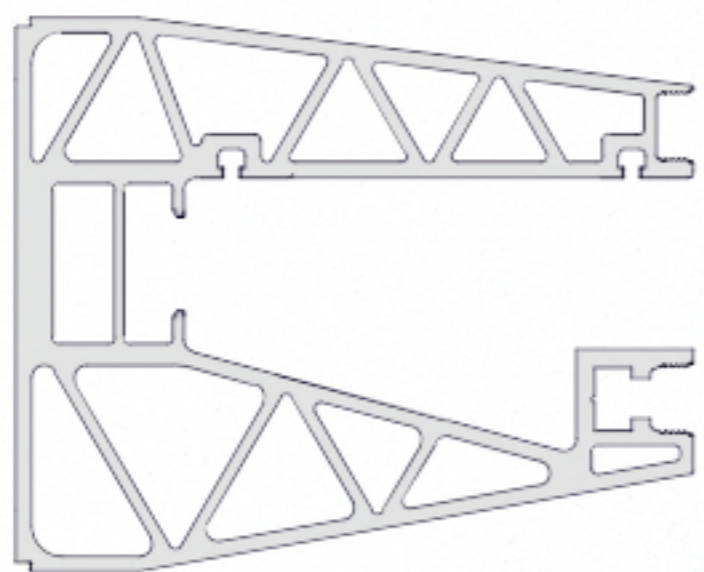
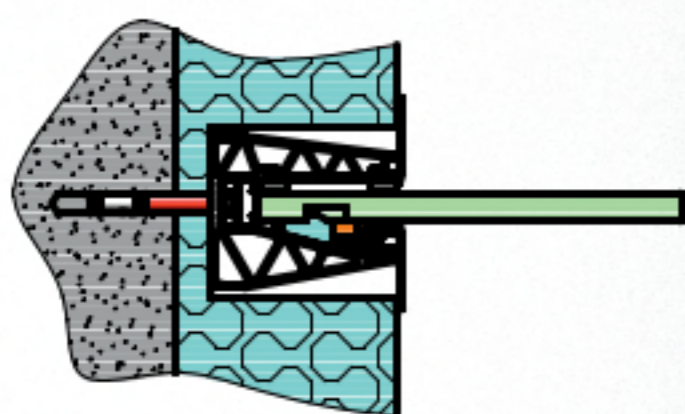


ZERO line

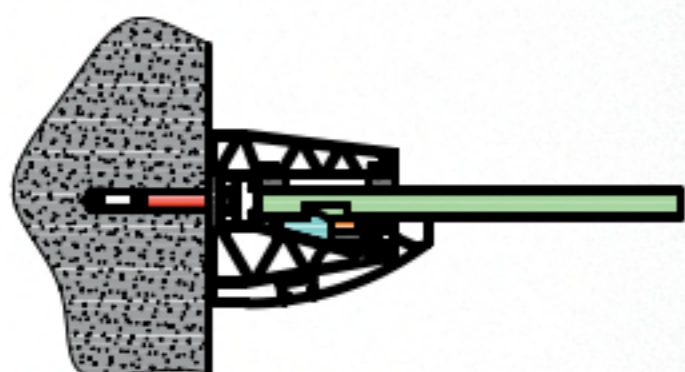
2,5 kN/m²



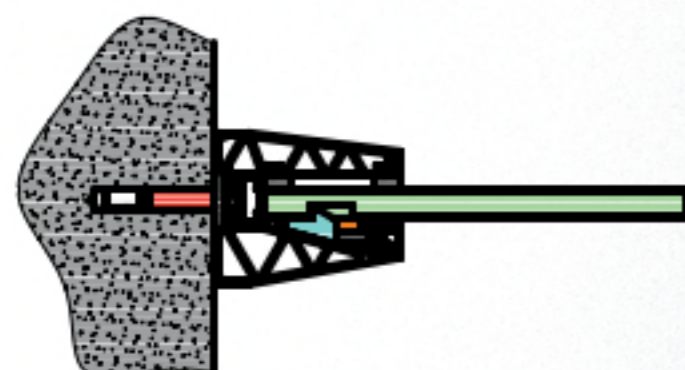
alt.1

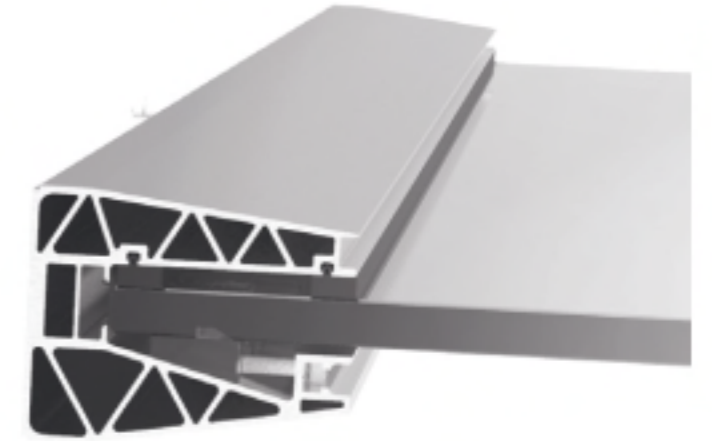


alt.2



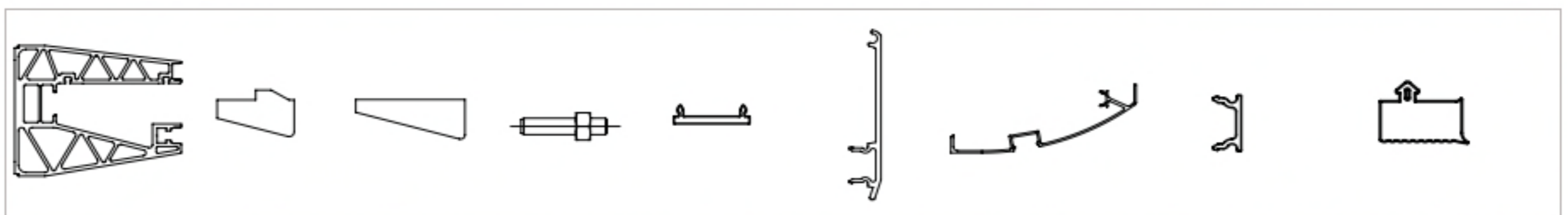
alt.3



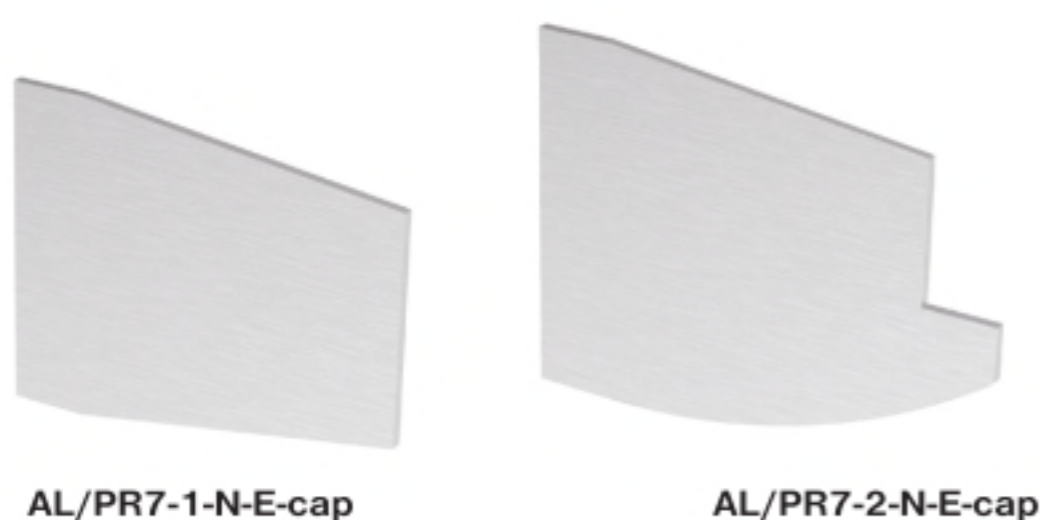
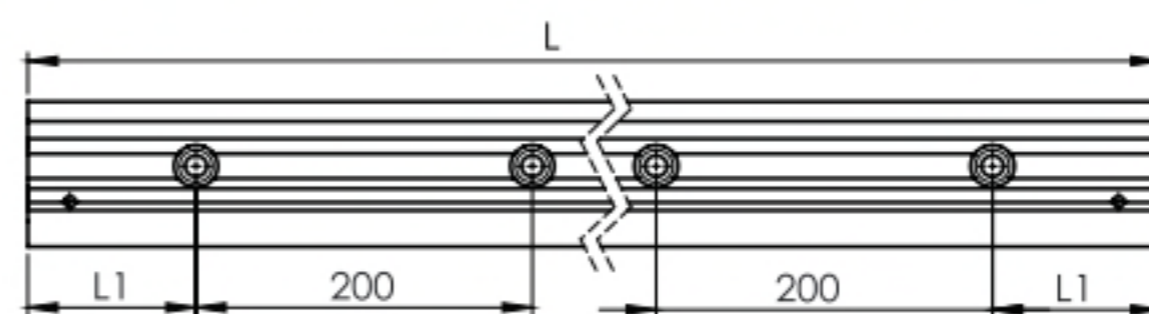
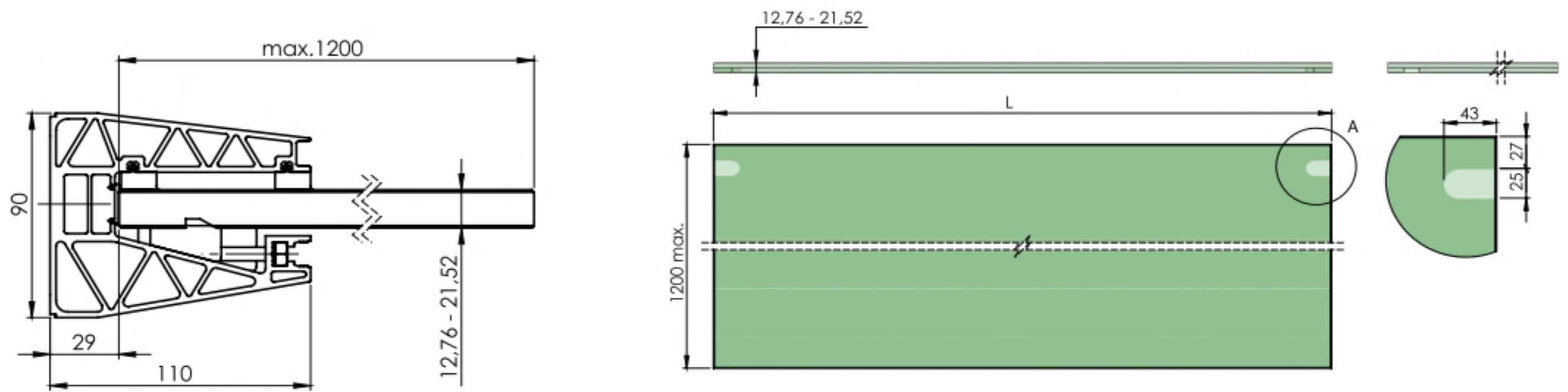
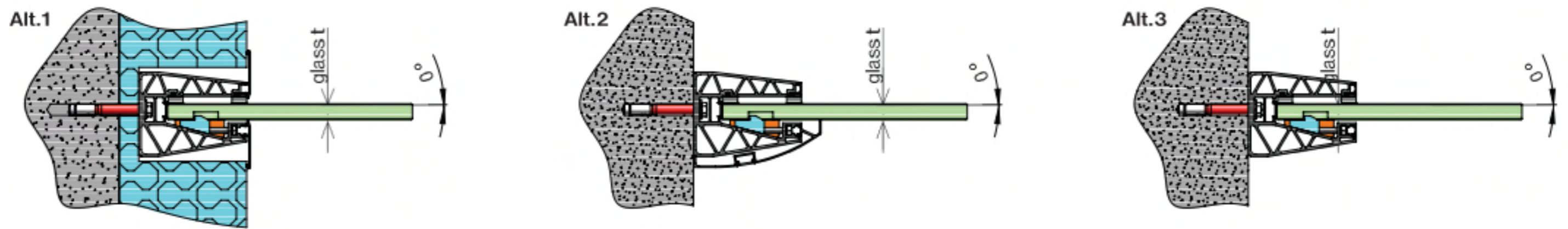


Quality	Finish	Effect	art.	L	glass t	Gmax (kN/m ²)	LED	glass t	L(m)	art.
ALUMINIUM	natural	Silver	AL/PR7-1-N-E-1500	1500	12,76-21,52	2,5	✓	12,76 (6.6.2)	3	A19/PR7-13-03.0
			AL/PR7-1-N-E-3000	3000						A19/PR7-17-18-03.0
			AL/PR7-2-N-E-1500	1500						A19/PR7-21-22-03.0
			AL/PR7-2-N-E-3000	3000						
			AL/PR7-3-N-E-1500	1500						
			AL/PR7-3-N-E-3000	3000						

SET



AL/PR7-1-N-E-1500	1,5 m	2x	6x	8x	1,5 m	-	-	2x1,5 m	1xA19/PR7-X-03.0
AL/PR7-1-N-E-3000	3 m	4x	12x	16x	3 m	-	-	2x3 m	2xA19/PR7-X-03.0
AL/PR7-2-N-E-1500	1,5 m	2x	6x	8x	2x1,5 m	-	1,5 m	1,5 m	1xA19/PR7-X-03.0
AL/PR7-2-N-E-3000	3 m	4x	12x	16x	2x3 m	-	3 m	3 m	2xA19/PR7-X-03.0
AL/PR7-3-N-E-1500	1,5 m	2x	6x	8x	1,5 m	2x1,5 m	-	-	1xA19/PR7-X-03.0
AL/PR7-3-N-E-3000	3 m	4x	12x	16x	3 m	2x3 m	-	-	2xA19/PR7-X-03.0



Material	Finish	Effect	art.
ALUMINIUM	natural	Silver	AL/PR7-1-N-E-cap
			AL/PR7-2-N-E-cap